

DIY CIDER PRESS




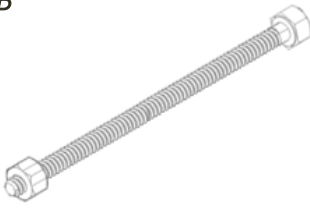




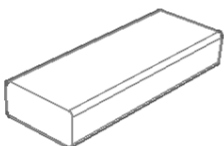

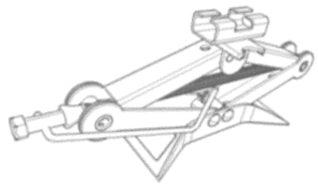

If you ever fancied making your own cider, now is your chance! To build a cider press you will need the following;

- Plain timber (we used CLS Timber 40x90cm)
- Plywood (we used 18mm marine plywood)
- 1x car jack
- Long threaded bolts c/w nuts & washers
- chipboard screws 5x 60mm
- PVA glue for wood
- Course muslin cloth (we used a decorators sheet)
- Plastic bucket or cake tray (for pulp mould)

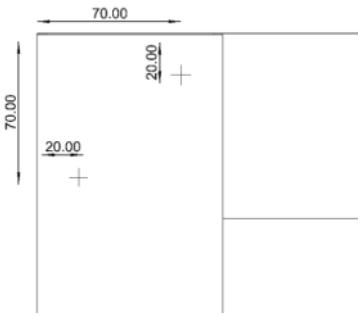
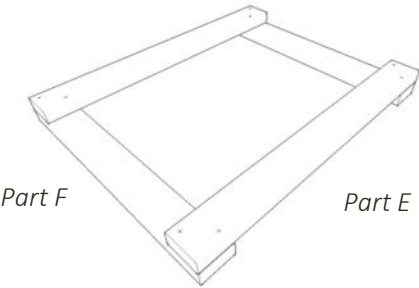
Tools;

- Safety goggles
- Safety gloves
- Drill c/w 12.5mm drill bit
- Screwdriver
- Jigsaw
- Spanner (to fit size of chosen bolts)

Parts List

| | |
|---|--|
| <p>PART A x 16</p>  <p>Chipboard screws 5x 60mm</p> | <p>PART B x 10</p>  <p>200mm threaded bolts c/w nuts and washers</p> |
| <p>PART C x 3</p>  <p>18mm plywood cut to circular shape with a 350mm diameter</p> | <p>PART D x 3</p>  <p>18mm plywood cut to 490 x 490mm square</p> |
| <p>PART E x 4</p>  <p>40x90mm timber cut to 690mm length</p> | <p>PART F x 8</p>  <p>40x90mm timber cut to 240mm length</p> |
| <p>PART G x 3</p>  <p>40 x90mm timber cut to 180mm length</p> | <p>PART H x2</p>  <p>20mm plywood cut to 560mm length and 360mm height</p> |
| <p>PART K x1</p>  <p>Car lifting jack</p> | <p>PART I x2</p>  <p>3mm steel plate cut to fit base of car jack</p> |

Step 1: You will need to assemble a rectangular frame using PART E and PART F. Lay out the base of your frame as shown below;



Mark two holes at either end of each plank at the points shown above.

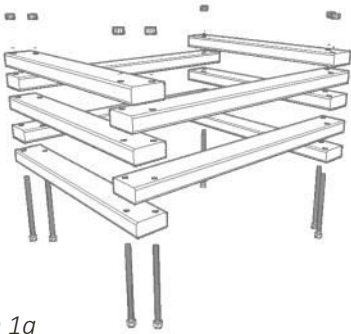
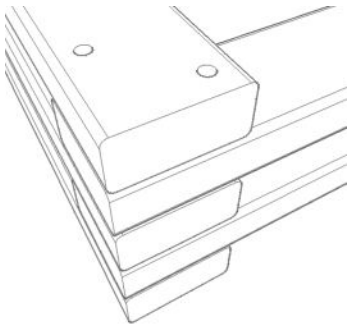
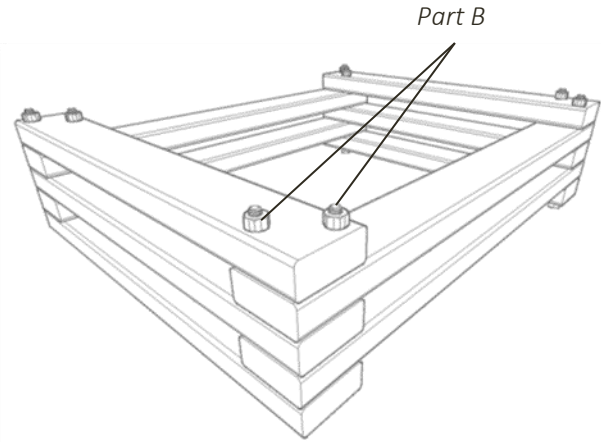
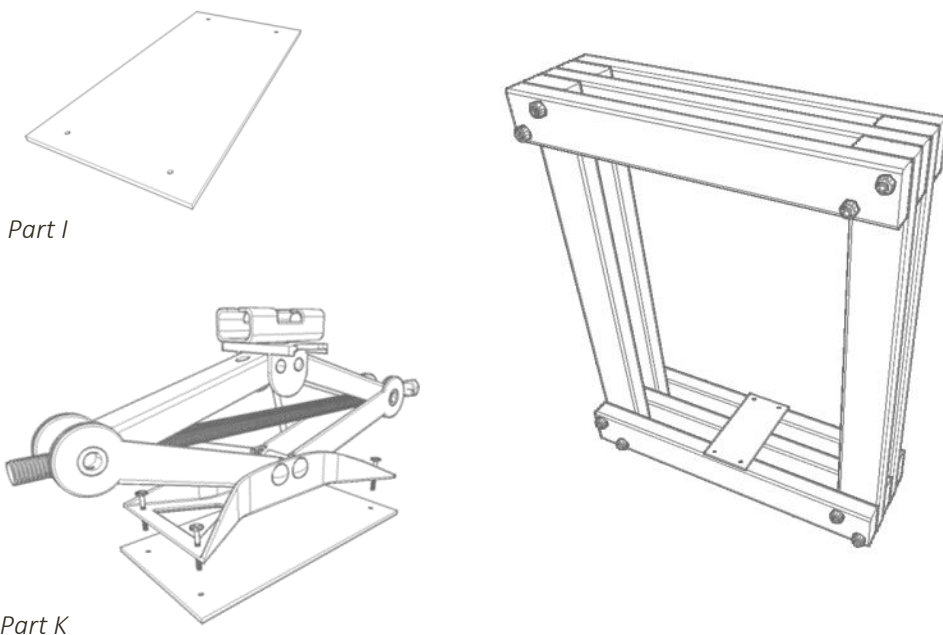


Diagram 1a

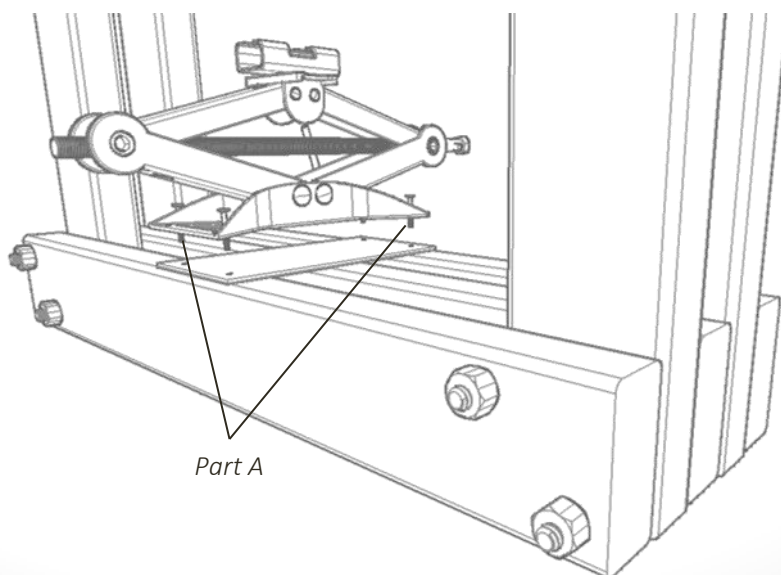
Stack 4x PART E between 6x PART F. Drill all the way through each plank and secure using PART B (see 1a). Your frame should now resemble the diagram below;



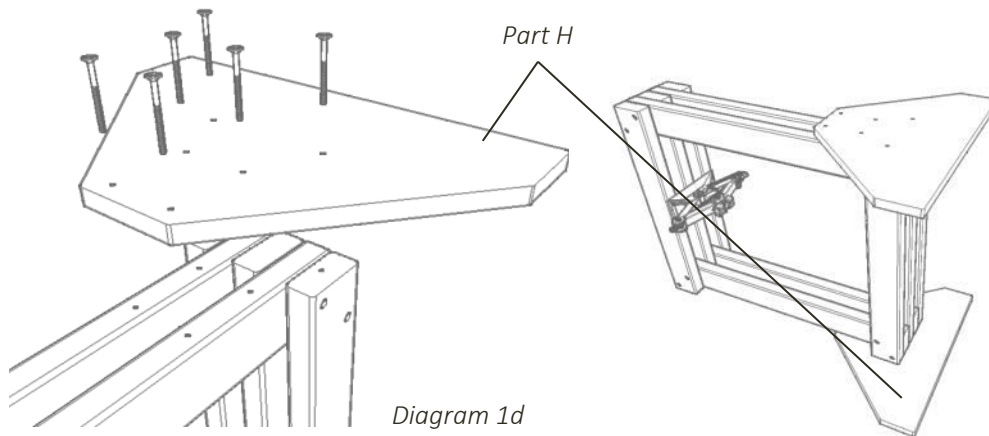
Step 2: At this point you can fit your car jack (PART K) to the frame. If the base of your jack is not the right size to fit the frame, you will need to attach the jack to a steel plate (PART I) prior to fixing it to the frame. Drill holes into the base of the car jack for the screws (PART A).



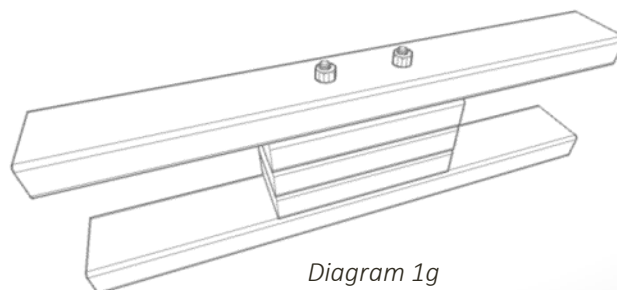
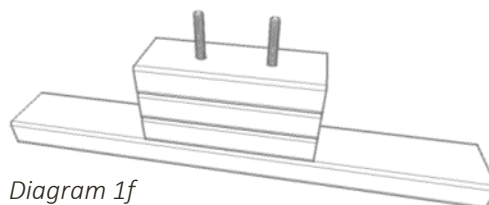
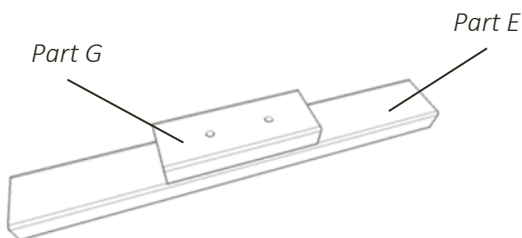
Attach the car jack to the frame of the cider press using screws as shown below;



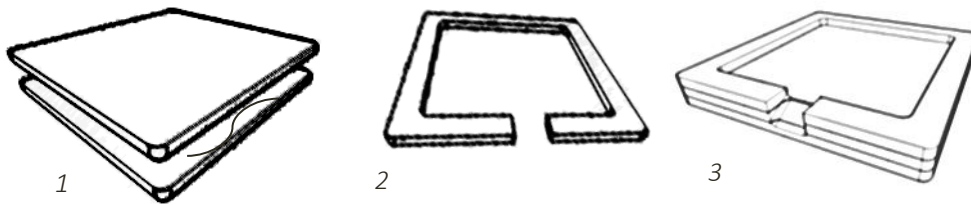
Step 3: Use 2x PART H for a stand. The two sheets of plywood should be cut to 560mm length and 360mm height. You will need to drill about 6 holes in each and attach them using PART A. (see 1d)



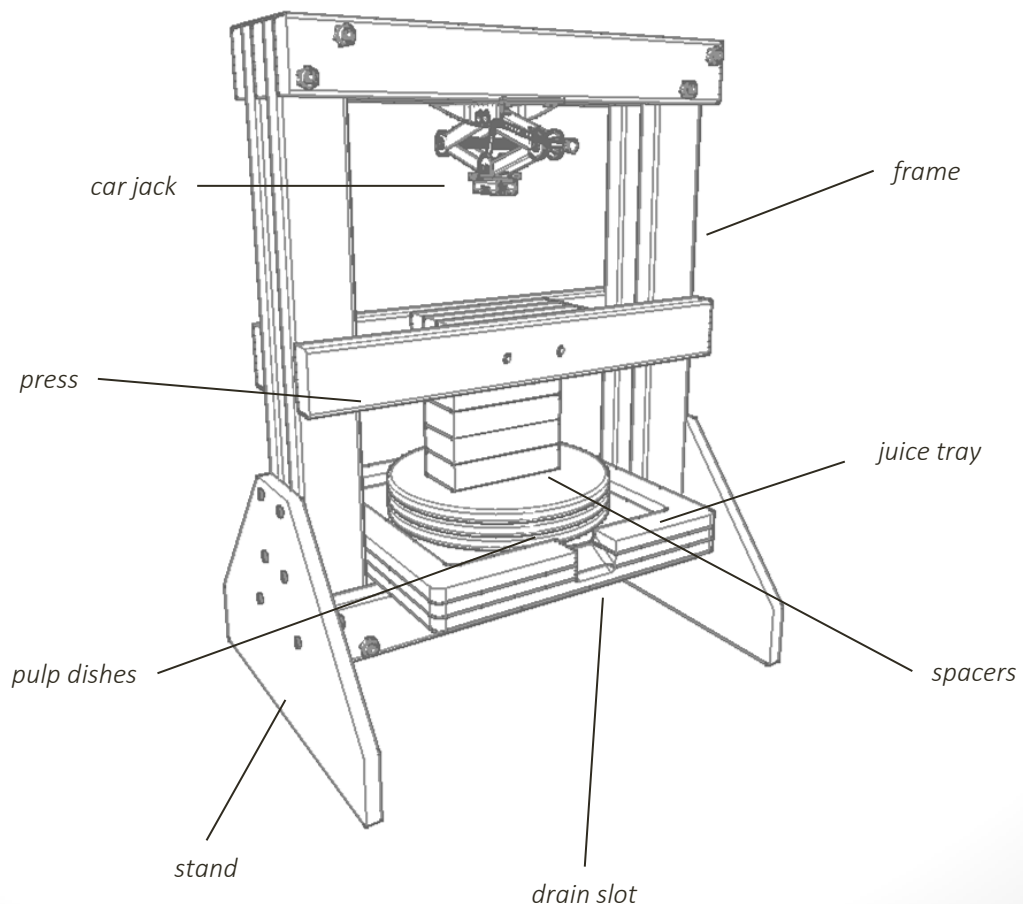
Step 4: To create the pressing platform use 3x PART G sandwiched between 2x PART E. Stack the planks onto each other, mark two holes at 1/3 of the shorter plank as guides (see 1e) and drill holes through all of them (see 1f). Stack the timber into 2 long threaded bolts and tighten nuts at the top (see 1g)



Step 4: To create the juice tray, take 2 of your 49x49cm sheets of 18mm plywood and stick them together using a heavy duty wood glue (1). Take the third sheet of same sized plywood and cut out the inside leaving about a 5cm frame (2). Now glue this onto the two other sheets (3), the frame will capture the juice when pressing pulp. Once the glue has dried cut a drain slot at one end.

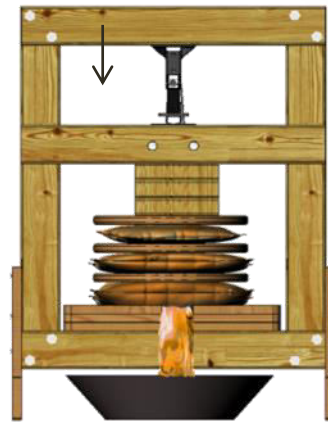


Step 5: You have now assembled all the components that make up your cider press. All that is left to do is complete the setup as shown in the diagram below, also check all nuts and bolts to ensure they have been tightened.





The car jack is slowly turned creating downwards pressure and squeezing juice out of the pulp filled muslin pouches.



Using Your Cider Press;

Now that you have built your cider press you are ready to make your own cider!

- Prepare some mixed pulp of your choice
- Wrap the pulp into muslin cloth
- Place the muslin cloth stuffed with pulp onto the juice tray, you can stack several layers by placing pulp dishes in-between.
- Insert the assembled press into the frame and fill the gap between the press and last pulp dish with offcut bits of timber to act as spacers.
- Place a steel plate between the car jack and press platform, now use the car jack to (very slowly) apply pressure and squeeze the juice out of the pulp that will be used for cider!



End User Notice:

- Use all power tools in accordance to manufacturers instructions!
- Wear protective clothing when using power tools!
- Always keep your work area tidy to prevent accidents and injury!
- Always wear eye protection when pressing!
- The cider press can be used to make an alcoholic beverage only suitable for persons 18 years of age or older, please use responsibly!

